



Liquid Tight Connectors

Description:

Procoat liquid tight connectors are used with liquid tight conduit to wire motors, transformers, processing equipment, pumps, etc. The flexible conduit and the PVC coated connector work together to seal out water and other corrosive liquids, protecting the conductors from damage.

Features:

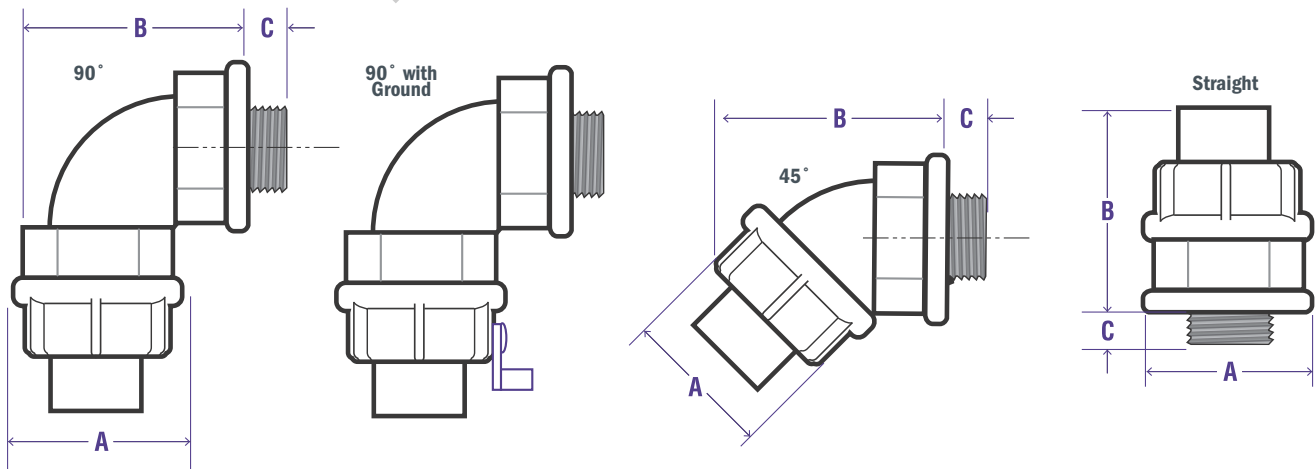
- 40 mil gray PVC exterior coating
- 2 mil gray urethane interior coating
- 13 trade sizes from 3/8" through 6"
- Sealing sleeves on all conduit openings
- Available in straight, 45° or 90° body configurations
- Available with an external grounding lug

Standards: Steel

Fittings Only

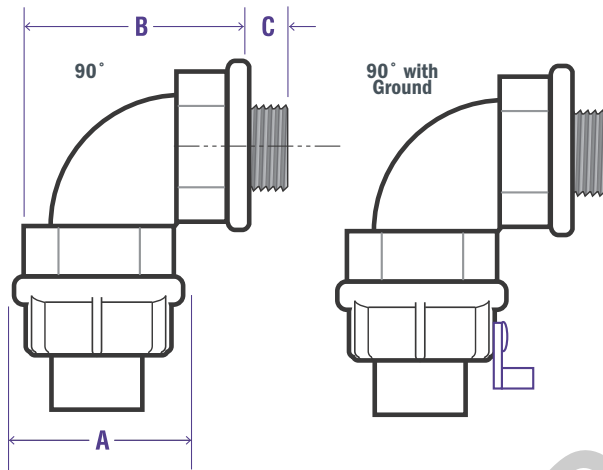
- UL 514B (E200413), UL 467 (E217890)

LIQUID TIGHT CONNECTORS CONFIGURATIONS



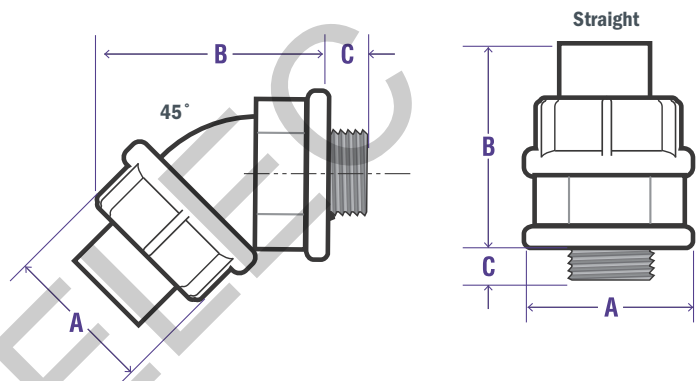
STRAIGHT CONNECTOR

PIPE SIZE	FERROUS CATALOG #	A	B	C	NOMINAL WEIGHT
3/8"	LTC0010P	1.24	1.5	0.56	0.2
1/2"	LTC0015P	1.46	1.56	0.56	0.2
3/4"	LTC0020P	1.74	1.63	0.56	0.3
1"	LTC0025P	1.96	2.06	0.75	0.4
1-1/4"	LTC0032P	2.36	2.50	0.81	0.8
1-1/2"	LTC0040P	2.80	2.69	0.81	0.9
2"	LTC0050P	3.33	3.06	0.88	1.7
2-1/2"	LTC0065P	3.83	4.13	1.00	3.0
3"	LTC0080P	4.58	4.25	1.00	4.2
4"	LTC00100P	5.58	4.50	1.13	6.2



STRAIGHT CONNECTOR WITH GROUND

PIPE SIZE	FERROUS CATALOG #	A	B	C	GROUND WIRE	NOMINAL WEIGHT
3/8"	LTGC0010P	1.24	1.50	0.56	14-8	0.2
1/2"	LTGC0015P	1.46	1.56	0.56	14-8	0.2
3/4"	LTGC0020P	1.74	1.63	0.56	14-4	0.3
1"	LTGC0025P	1.96	2.06	0.75	14-4	0.4
1-1/4"	LTGC0032P	2.33	2.50	0.81	8/1/2000	0.8
1-1/2"	LTGC0040P	3.33	2.69	0.81	4/2/2000	0.9
2"	LTGC0050P	3.89	3.06	0.88	4/2/2000	1.7
2-1/2"	LTGC0065P	4.52	4.13	1.00	2/4/2000	3.0
3"	LTGC0080P	5.27	4.25	1.00	2/4/2000	4.2
4"	LTGC00100P	6.21	4.50	1.13	2/4/2000	6.2



45° CONNECTOR

PIPE SIZE	FERROUS CATALOG #	A	B	C	NOMINAL WEIGHT
3/8"	LTC4510P	1.24	1.56	0.56	0.3
1/2"	LTC4515P	1.46	1.88	0.56	0.3
3/4"	LTC4520P	1.74	2.13	0.56	0.4
1"	LTC4525P	1.96	2.25	0.75	0.5
1-1/4"	LTC4532P	2.36	2.75	0.81	1.5
1-1/2"	LTC4540P	2.80	3.38	0.81	1.2
2"	LTC4550P	3.33	3.88	0.88	2.0
2-1/2"	LTC4565P	3.83	4.25	1.00	3.0
3"	LTC4580P	4.58	4.25	1.00	4.2
4"	LTC45100P	5.58	4.63	1.13	6.2

45° CONNECTOR WITH GROUND

PIPE SIZE	FERROUS CATALOG #	A	B	C	GROUND WIRE	NOMINAL WEIGHT
3/8"	LTGC4510P	1.24	1.56	0.56	14-8	0.3
1/2"	LTGC4515P	1.46	1.88	0.56	14-8	0.3
3/4"	LTGC4520P	1.74	2.13	0.56	14-4	0.4
1"	LTGC4525P	1.96	2.25	0.75	14-4	0.5
1-1/4"	LTGC4532P	2.33	2.75	0.81	4/2/2000	1.5
1-1/2"	LTGC4540P	3.33	3.38	0.81	4/2/2000	1.2
2"	LTGC4550P	3.89	3.88	0.88	4/2/2000	2.0
2-1/2"	LTGC4565P	4.52	4.25	1.00	2/4/2000	3.0
3"	LTGC4580P	5.27	4.25	1.00	2/4/2000	4.2
4"	LTGC45100P	6.21	4.63	1.13	2/4/2000	6.2

90° CONNECTOR

PIPE SIZE	FERROUS CATALOG #	A	B	C	NOMINAL WEIGHT
3/8"	LTC9010P	1.24	1.38	0.56	0.3
1/2"	LTC9015P	1.46	1.56	0.56	0.3
3/4"	LTC9020P	1.74	1.75	0.56	0.4
1"	LTC9025P	1.96	2.19	0.75	0.6
1-1/4"	LTC9032P	2.36	2.75	0.81	1.0
1-1/2"	LTC9040P	2.80	2.94	0.81	1.7
2"	LTC9050P	3.33	3.44	0.88	2.7
2-1/2"	LTC9065P	3.83	8.88	1.00	3.8
3"	LTC9080P	4.58	10.25	1.00	4.2
4"	LTC90100P	5.58	12.63	1.13	6.2

90° CONNECTOR WITH GROUND

PIPE SIZE	FERROUS CATALOG #	A	B	C	GROUND WIRE	NOMINAL WEIGHT
3/8"	LTGC9010P	1.24	1.25	0.56	14-8	0.3
1/2"	LTGC9015P	1.46	1.44	0.56	14-8	0.3
3/4"	LTGC9020P	1.74	1.81	0.75	14-4	0.4
1"	LTGC9025P	1.96	2.06	0.75	14-4	0.6
1-1/4"	LTGC9032P	2.33	2.50	0.81	8/1/2000	1.0
1-1/2"	LTGC9040P	3.33	2.94	0.81	4/2/2000	1.7
2"	LTGC9050P	3.89	3.44	0.88	4/2/2000	2.7
2-1/2"	LTGC9065P	4.52	8.88	1.00	2/4/2000	3.8
3"	LTGC9080P	5.27	10.25	1.00	2/4/2000	4.2
4"	LTGC90100P	6.21	12.63	1.13	2/4/2000	6.2