

516 PARALLEL CABLE CONNECTOR



CERTIFICATIONS



FEATURES

Cable splice with positive single bolt tension grip on cable or wire

For use with all full size cables on Class I/II structures

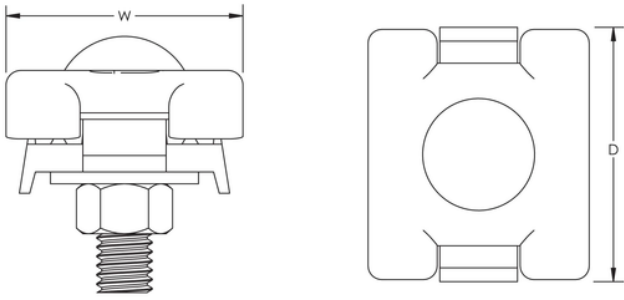
Listed to UL® 96

SPECIFICATIONS

Conductor Size, UL: Class 1 - Class 2 (4/0 Max)

Catalog Number	Material	Finish	Depth(D)	Width(W)	Unit Weight
LPA516	Aluminum	Bare	1.840"	1 1/2"	0.140 lb
LPC516A	Copper, Aluminum, Stainless Steel 18-8 (EN 1.4305)	Bare	1.840"	1 1/2"	0.260 lb
LPC516	Copper	Bare	1.840"	1 1/2"	0.400 lb
LPC516L	Copper	Tinned	1.840"	1 1/2"	0.400 lb

DIAGRAMS



WARNING

nVent products shall be installed and used only as indicated in nVent's product instruction sheets and training materials. Instruction sheets are available at www.nvent.com and from your nVent customer service representative. Improper installation, misuse, misapplication or other failure to completely follow nVent's instructions and warnings may cause product malfunction, property damage, serious bodily injury and death and/or void your warranty.

North America

+1.800.753.9221

Option 1 – Customer Care

Option 2 – Technical Support

Europe

Netherlands:

+31 800-0200135

France:

+33 800 901 793

Europe

Germany:

800 1890272

Other Countries:

+31 13 5835404

APAC

Shanghai:

+ 86 21 2412 1618/19

Sydney:

+61 2 9751 8500



Our powerful portfolio of brands:
nVent.com **CADDY ERICO HOFFMAN RAYCHEM SCHROFF**
TRACER

© 2023 nVent. All nVent marks and logos are owned or licensed by nVent Services GmbH or its affiliates. All other trademarks are the property of their respective owners.

nVent reserves the right to change specifications without notice.