

# Unions and Elbows

Cl. I, Div. 1 & 2, Groups C,D†  
 Cl. II, Div. 1, Groups E,F,G  
 Cl. II, Div. 2, Groups F,G  
 Cl. III

Explosionproof  
 Dust-Ignitionproof

**7F**

**7F**  
 Elbows, Couplings,  
 Red'd Devices,  
 Flugs, Etc.



Male (with removable nipple)



90° Male



90° Female



45° Female



90° Male and female

## UNA

### Male

Size	Cat. #
1/2	UNA16
3/4	UNA26
1	UNA36

## EL

### 90° Male

Size	Cat. #
1/2	EL195
3/4	EL295
1	EL395

### 90° Female

Size	Cat. #
1/2	EL19*
3/4	EL29*
1	EL39*
1 1/4	EL49*
1 1/2	EL59*
2	EL69*
2 1/2	EL79

### 45° Female

Size	Cat. #
1/2	EL1
3/4	EL2
1	EL3
1 1/4	EL4
1 1/2	EL5
2	EL6
2 1/2	EL7
3	EL8
3 1/2	EL9
4	EL10

### 90° Male and Female

Size	Cat. #
1/2	EL196*
3/4	EL296*
1	EL396*
1 1/4	EL496

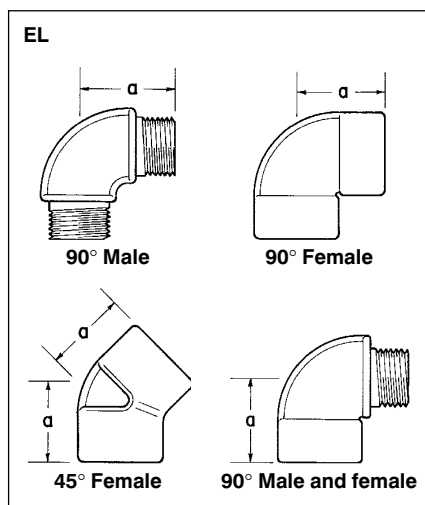
\* Available in copper free aluminum – add suffix SA to catalog number.

## Dimensions

### UNA

#### Male

Size	Length	Width
1/2	4 5/16	2 5/8
3/4	4 13/16	2 7/8
1	5 1/16	3 1/2



### EL

Size	45° Female	90° Male	90° Female	90° Male & Female
	a	a	a	a
1/2	1 3/16	1 7/16	1 17/32	1 17/32
3/4	1 3/8	1 5/8	1 3/4	1 5/8
1	1 21/32	1 7/8	2	1 7/8
1 1/4	1 3/4		2 1/4	2 1/8
1 1/2	1 15/16		4	
2	2 1/4		5	
2 1/2	2 3/4		6 7/16	
3	3 1/8			
3 1/2	3 7/16			
4	3 5/8			

† See compliances for classification of each product.